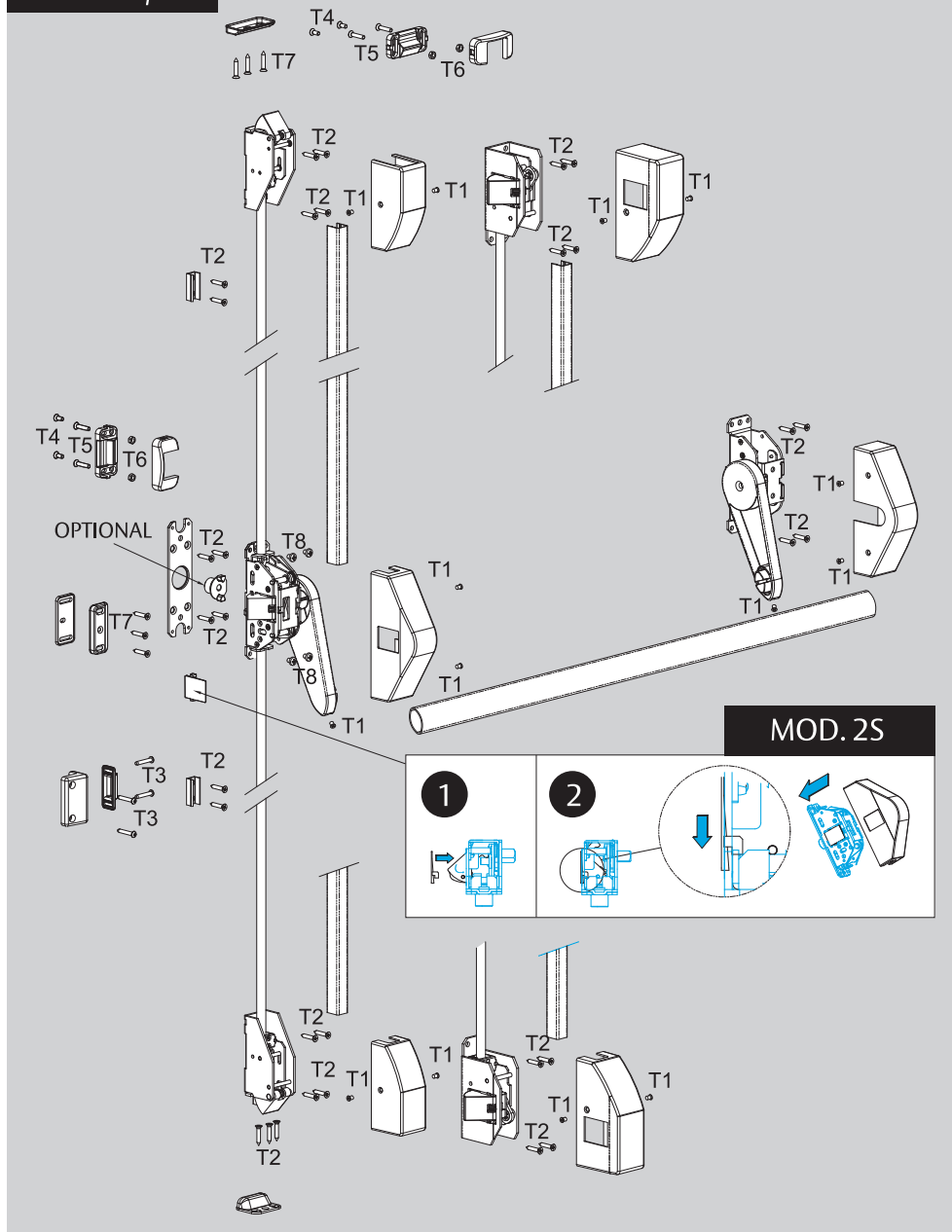
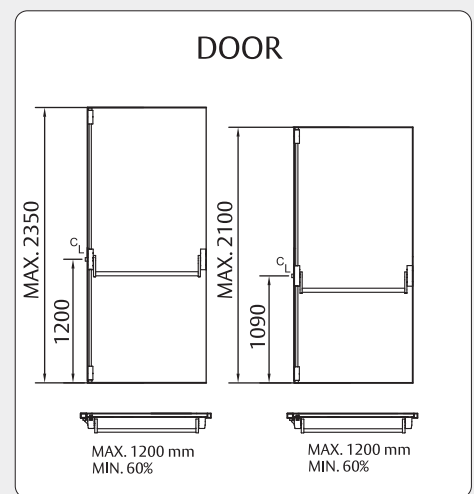


Instalation Instructions

MOD. 2S/3S



|                   |   |                   |
|-------------------|---|-------------------|
| CE                | ASSA ABLOY EAST EUROPE<br>Dolnoocholupska 1418/12,<br>102 00 Praha 10<br>Czech Republic | 12                |
|                   | 1239/0814901  | 3 7 6 1 3 2 2 A A |
| UNE-EN 1125: 2009 |   |                   |



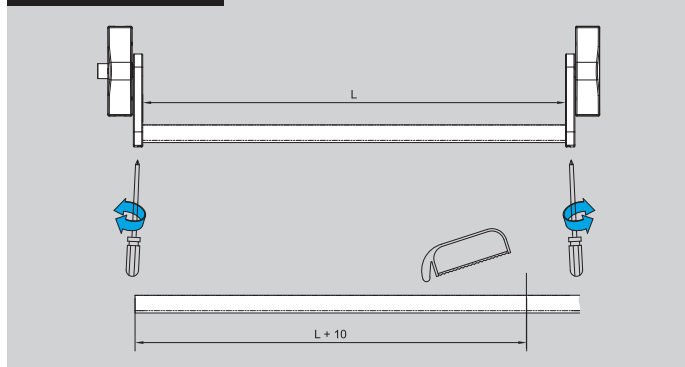
**Standard**

|               | 1 POINT | 2 POINTS | 3 POINTS |
|---------------|---------|----------|----------|
| M4 x 6,5 T1   | 10      | 14       | 14       |
| Ø 3,5 x 22 T2 | 8       | 23       | 23       |
| Ø 3,5 x 32 T7 | 3       | 3        | 6        |
| M4 x 5 T8     | 4       | 4        | 4        |

**Optional strikers**

|    |            |   |
|----|------------|---|
| T3 | Ø 3,9 x 16 | 4 |
| T4 | M4 x 10    | 2 |
| T5 | M4 x 20    | 2 |
| T6 | M4         | 2 |

CUTTABLE



MOD. 1S

